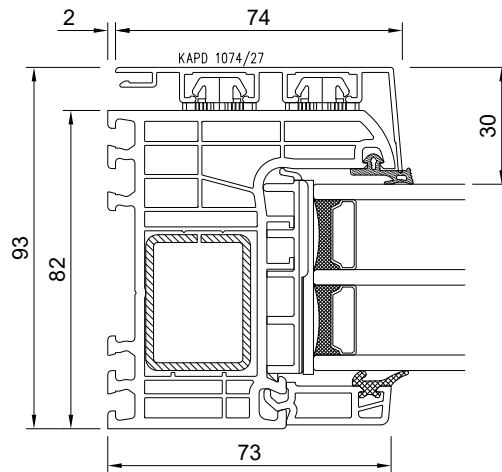
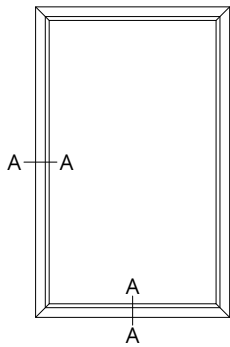


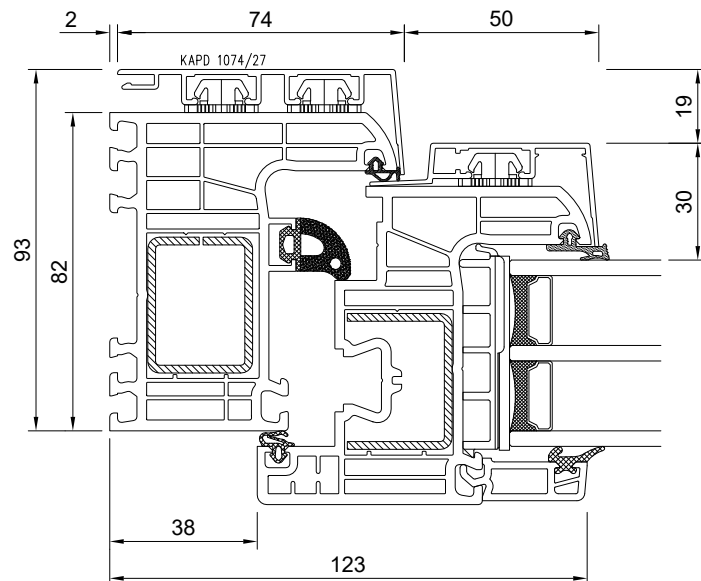
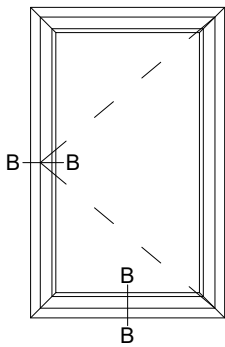
A - A

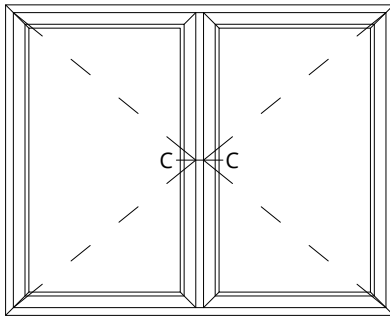
70001 + Alucover



B - B

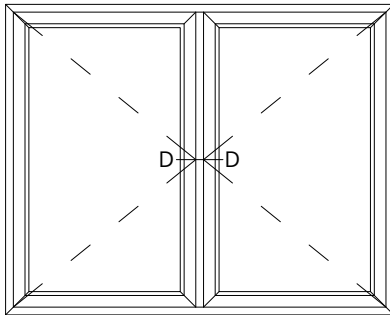
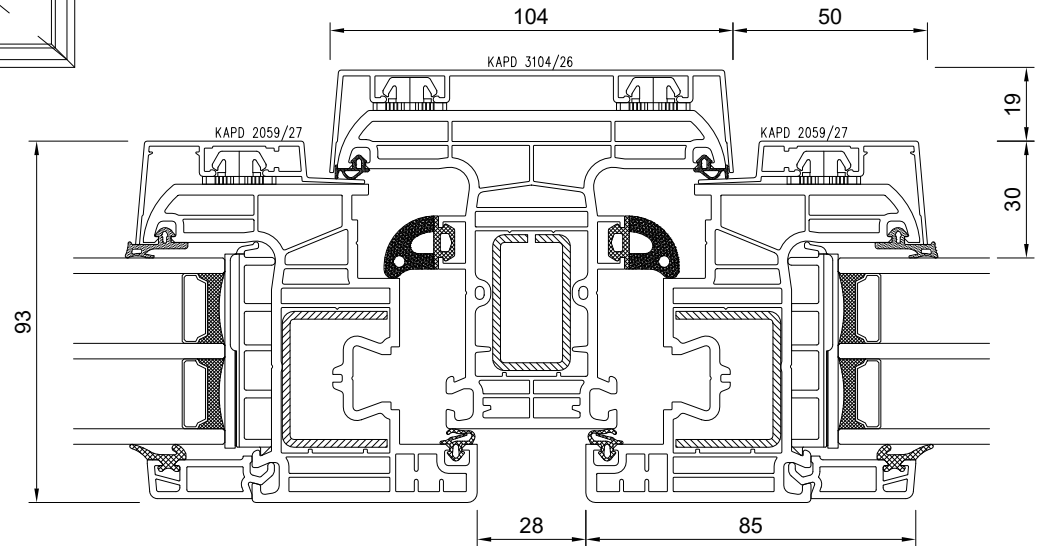
70001 + 70013 + Alucover





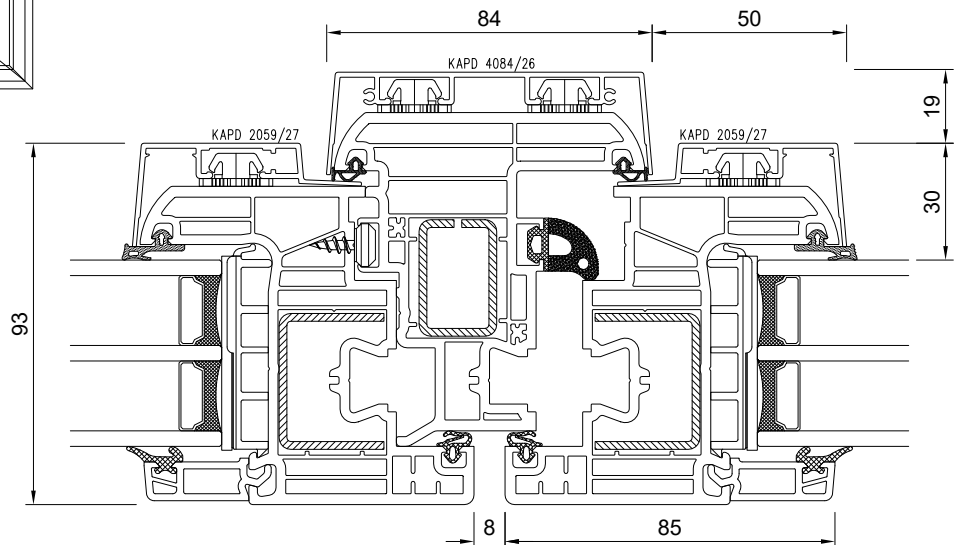
C - C

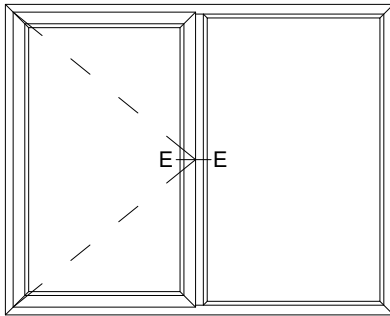
70021 + 70013 + Alucover



D - D

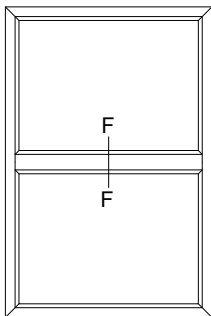
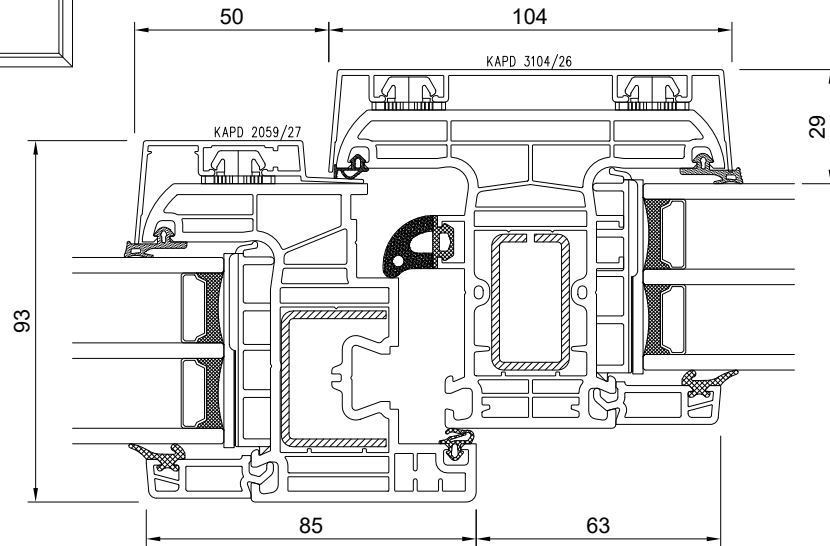
70029 + 70013 + Alucover





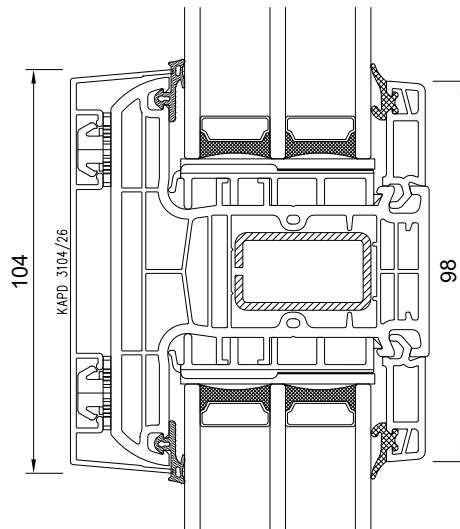
E - E

70021 + 70013 + Alucover



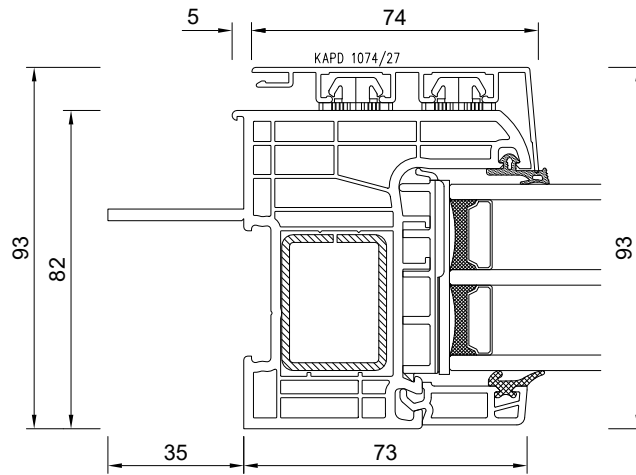
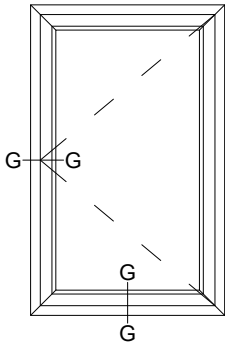
F - F

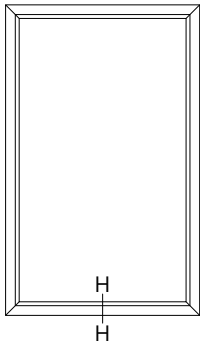
70021 + Alucover



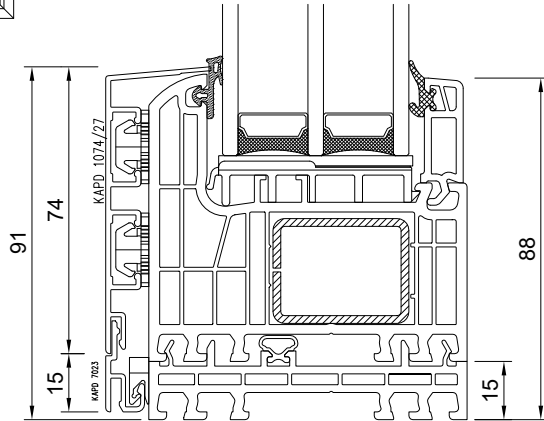
G - G

70009 + Alucover

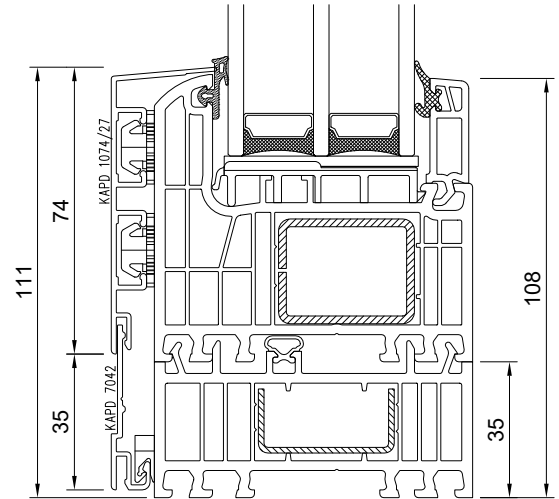




H - H

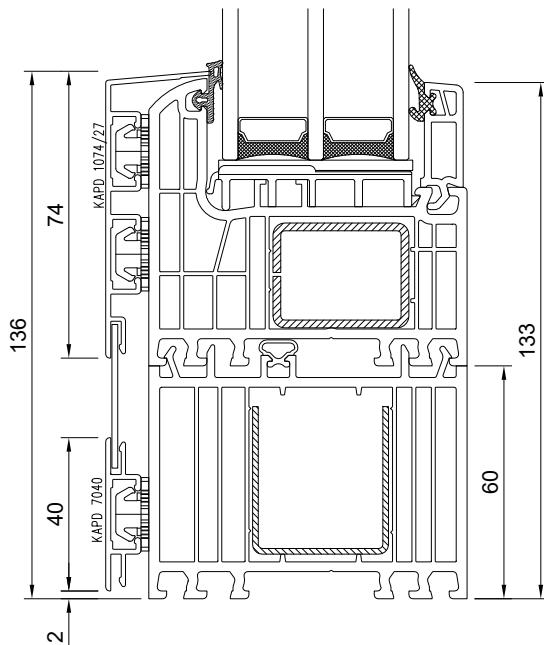


70001 + 70103 + Alucover

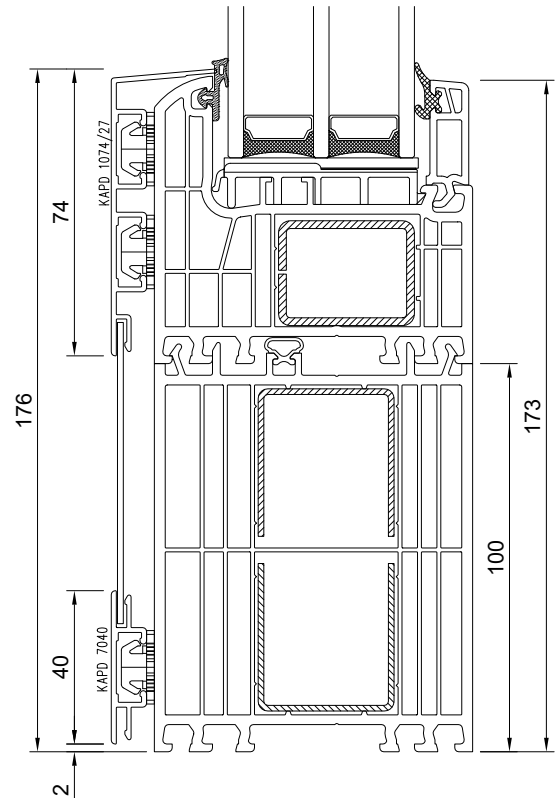


70001 + 70100 + Alucover

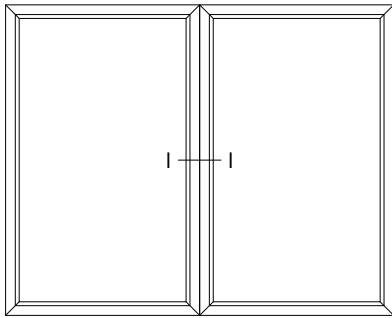
H - H



70001 + 70101 + Alucover

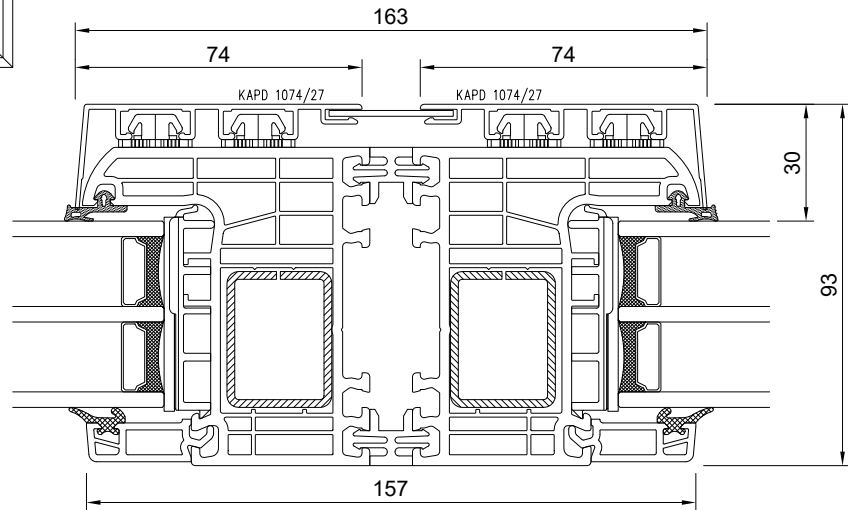


70001 + 70102 + Alucover



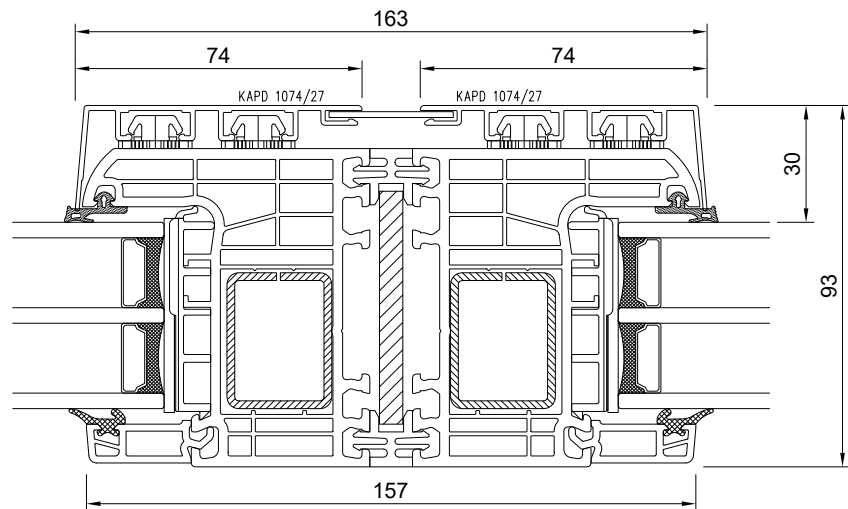
I - I

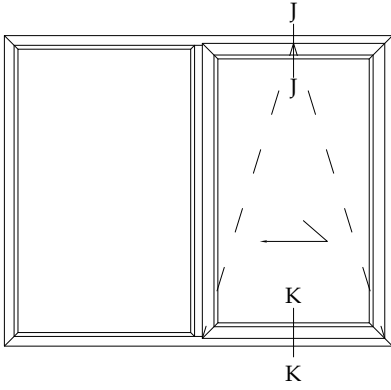
70001 + 50124 + Alucover



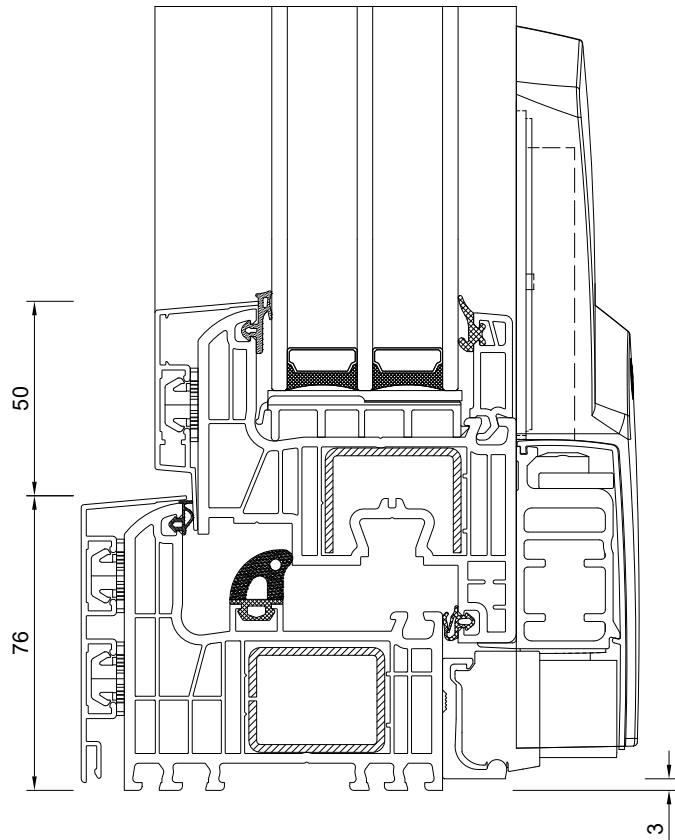
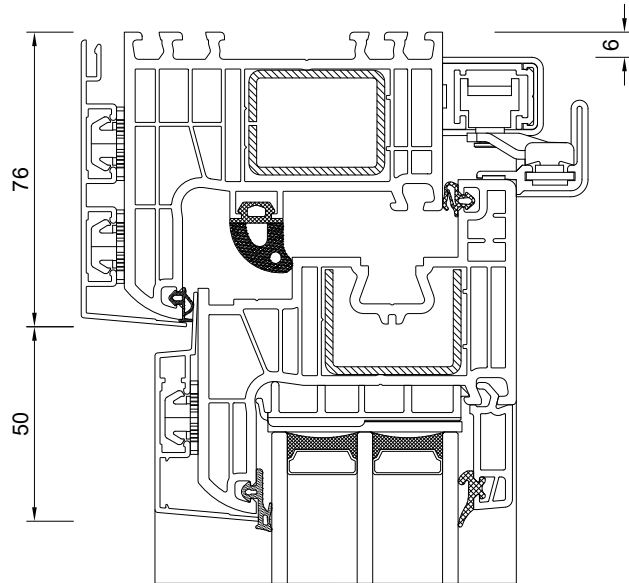
I - I

70001 + 50124 + Alucover



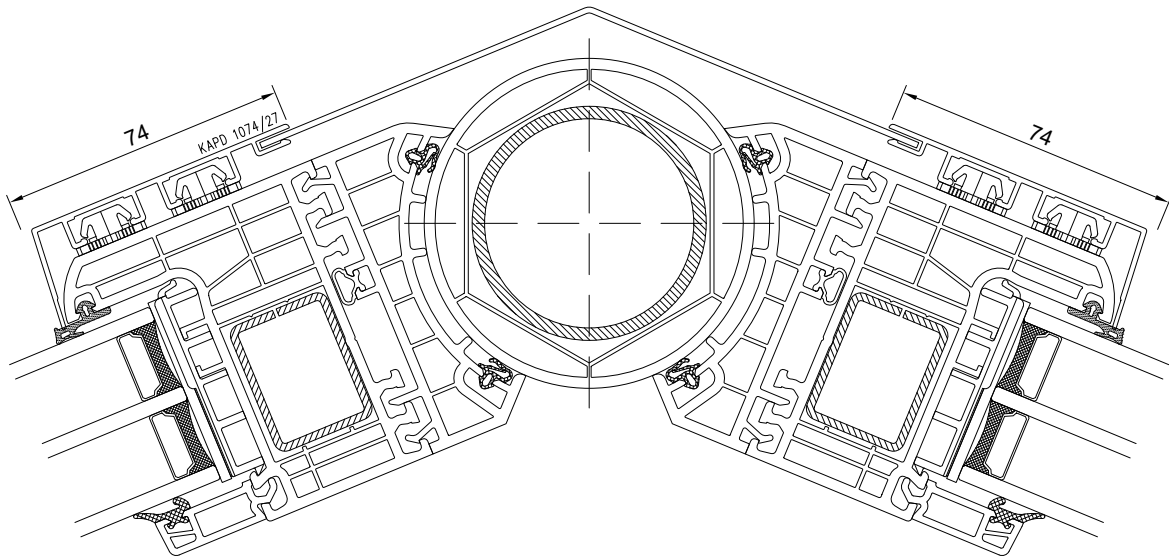


J - J

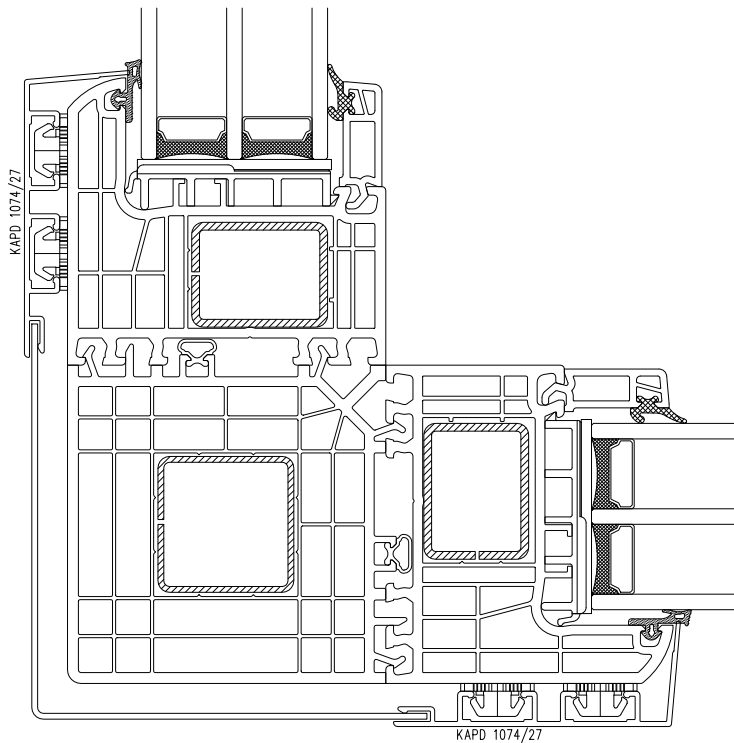


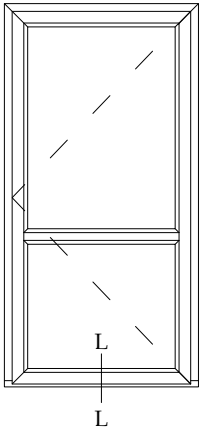
K - K

70001 + 50120 + Alucover



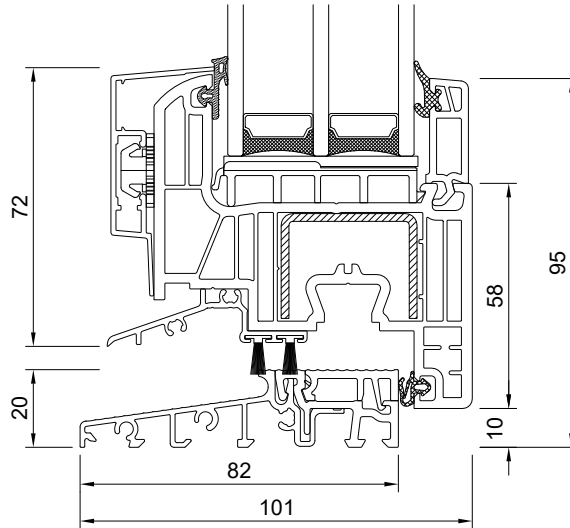
70001 + 70122 + Alucover





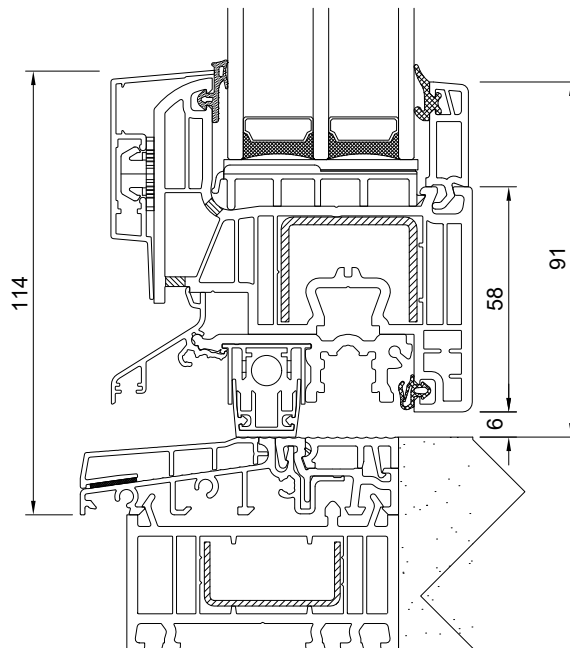
L - L

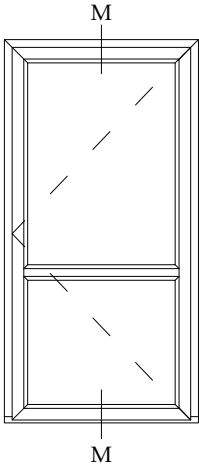
Combi 20mm + 70013 + Alucover



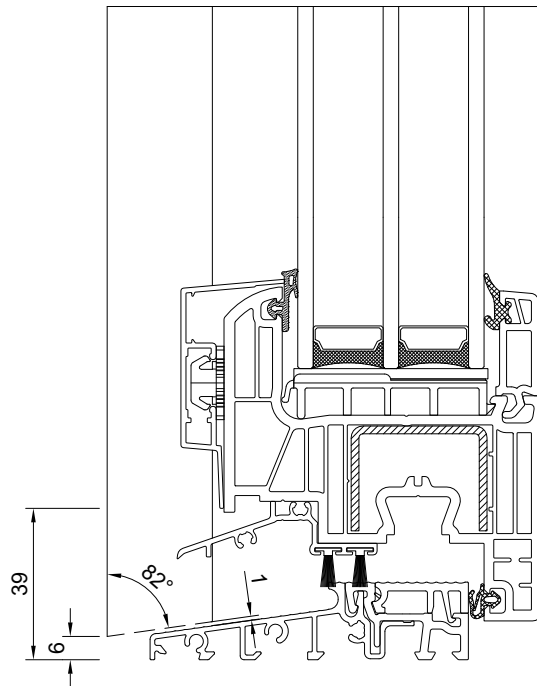
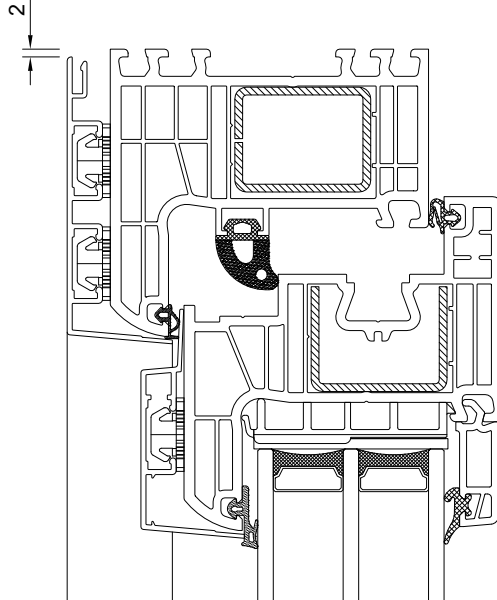
L' - L'

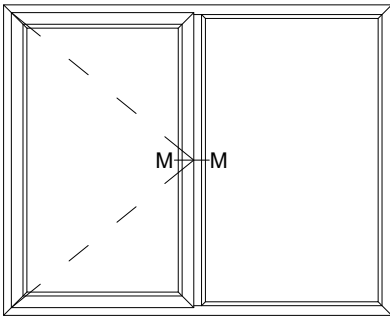
Combi plan 0mm + 70013 + Alucover



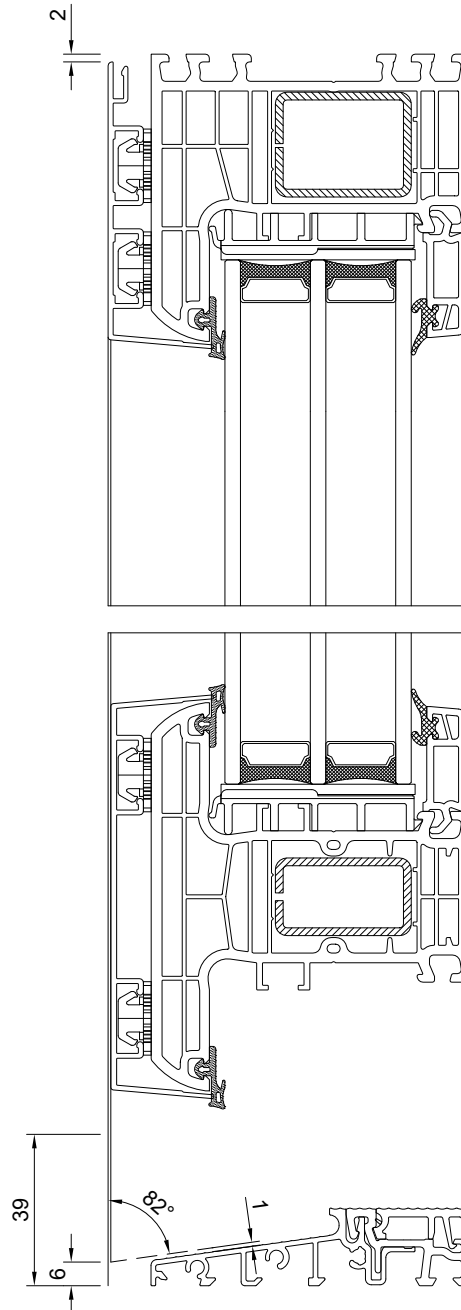


M - M

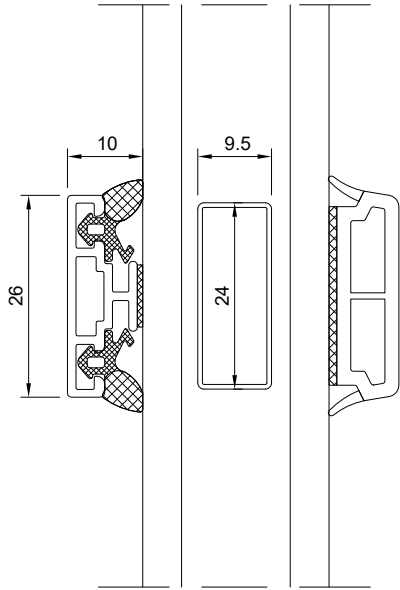




M - M



Duplex - 24x9,5



Duplex - 24x11,5

